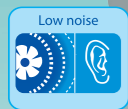


## VENTS Style Series

**NEW!**



Innovative domestic extract fan with automatic shutters, low-noise operation and low energy consumption

**25**  
dB(A)

**9 W**

**97**  
m<sup>3</sup>/h

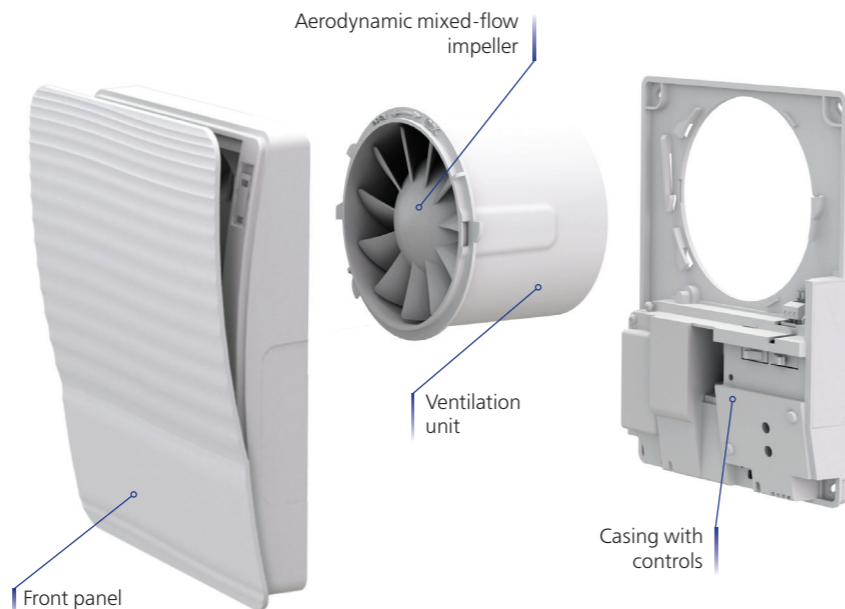
### Applications

- Innovative extract fan with stylish design for enhanced comfort level in shower rooms, bathrooms, kitchens and other residential premises.
- Maximum air flow combined with low noise level provide the ideal microclimate.
- Intermittent or continuous ventilation of bathroom, shower rooms, kitchens and other utility spaces.
- Mounting into ventilation shafts or connection to Ø 100 mm air ducts.

### Design

- The casing and the impeller are made of high-quality and durable UV-resistant plastic.
- Due to its modern look the fan is compatible with any interior design.
- Specially designed impeller aerodynamic profile provides high air capacity and low noise.
- A shortened spigot for mounting into a ventilation shaft or direct connection to Ø 100 mm air duct.
- The fan exhaust spigot incorporates specially designed air rectifiers to reduce air turbulence, noise level and boost air pressure.
- The removable ventilation unit enables easy maintenance.
- High ingress protection rating makes the fan the ideal bathroom ventilation solution. The electronic components are protected with tight covers.
- The integrated thermal actuator enables smooth opening and closing of the front panel to prevent backdrafting.

### Design features



### Motor

- Reliable ball bearing motor with low energy demand.
- Maintenance-free bearings contain enough grease for 40 000 hrs non-stop operation.
- Motor on special anti-vibration dampers for vibration absorbing and silent operation.
- Motor equipped with electric overheating protection.

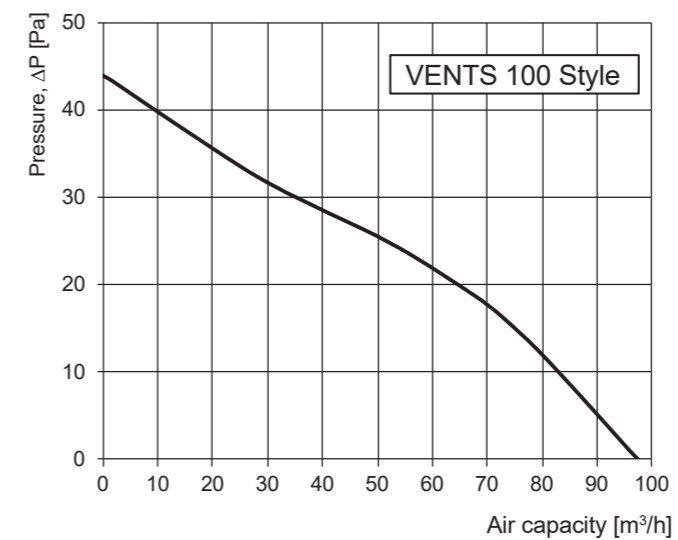
### Control

- Manual operation with a room light switch. The switch is not included in the delivery set.

### Technical data

Model	Voltage [V] / 50 Hz	Power consumption [W]	Current [A]	R.p.m	Maximum air capacity [m <sup>3</sup> /h]	Sound pressure level at 3 m [dB(A)]	Weight [kg]	IP
VENTS 100 Style	220-240	9	0.059	2165	97	25	0.55	44

### Aerodynamic characteristics

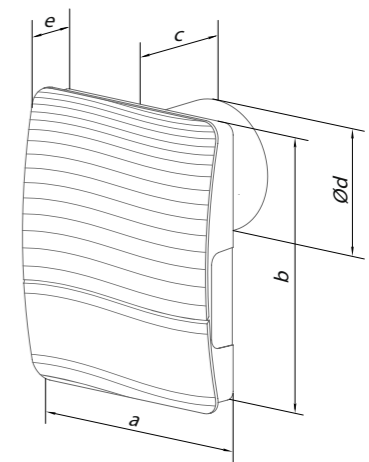


### Mounting example



### Overall dimensions

Model	Dimensions [mm]				
	a	b	c	Ød	e
VENTS 100 Style	175	221	77	99	39



### Certificates

CE IP 44 The fans meet the applicable safety and electromagnetic compatibility standards.